

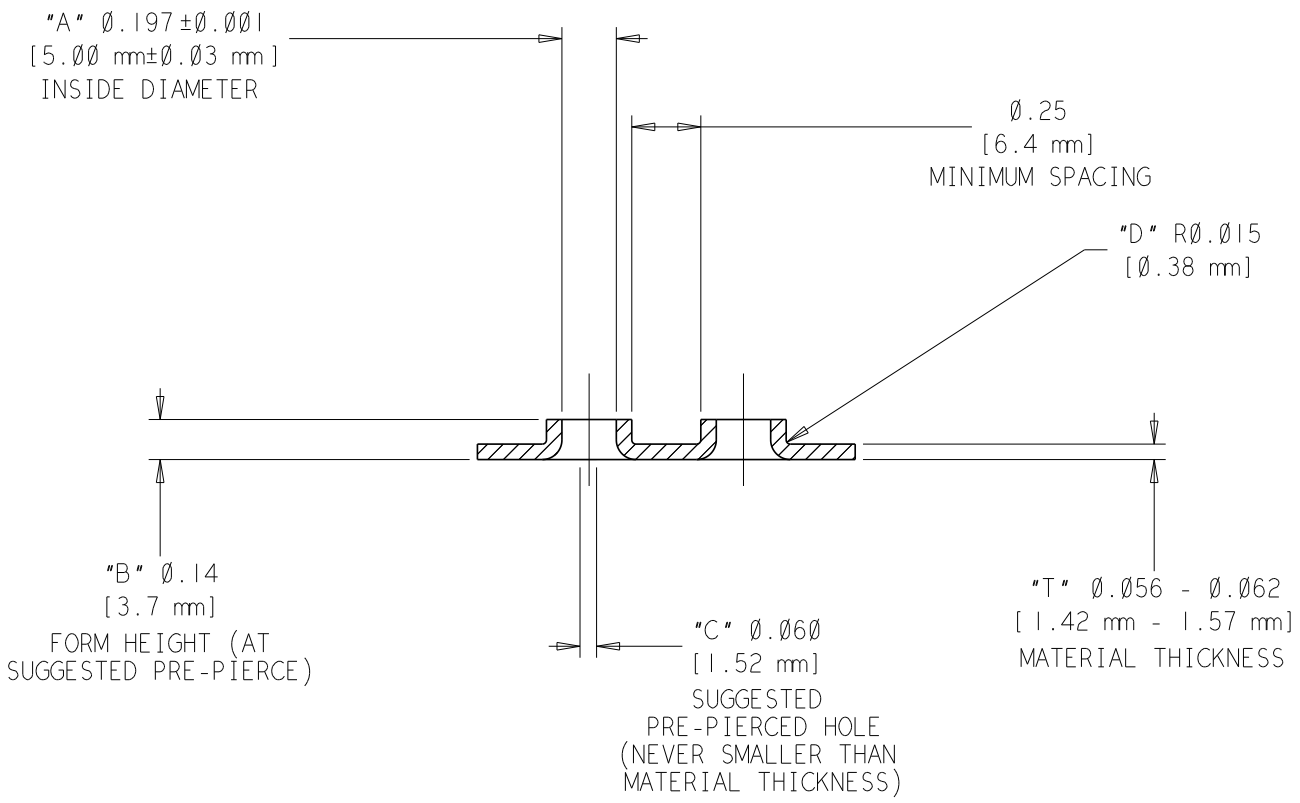


TRUMPF SIZE 2 EXTRUSION
ROUND UP M6 FOR $\emptyset.059(1.50)$
MATERIAL FORM DRAWING

ECO #	REV:	REV. DATE:	REVISED BY:
E101671	A	06/29/05	GSF

UNLESS OTHERWISE SPECIFIED
DECIMALS ANGLES
.XX=±.01 X=±5°
.XXX=±.005 .X=±.5°
INSIDE CORNERS R.03±.01
OUTSIDE EDGES R.02±.01
OR .02±.01 X 45°±5°

P.N.
XTT2D0D191-0001
SHEET 1 OF 1
DWG :



Visit mate.com/stockspecials for complete information