

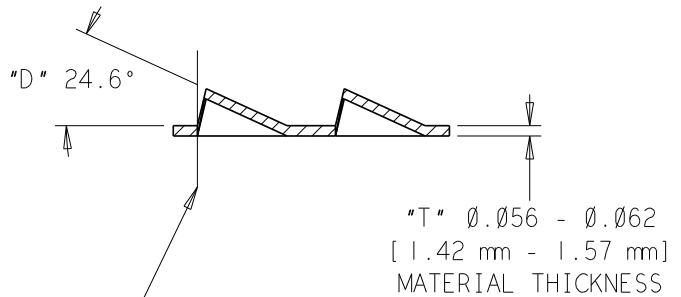
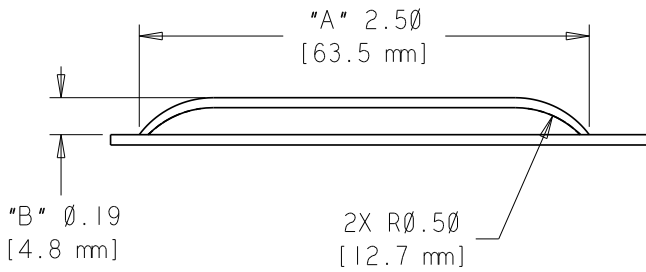
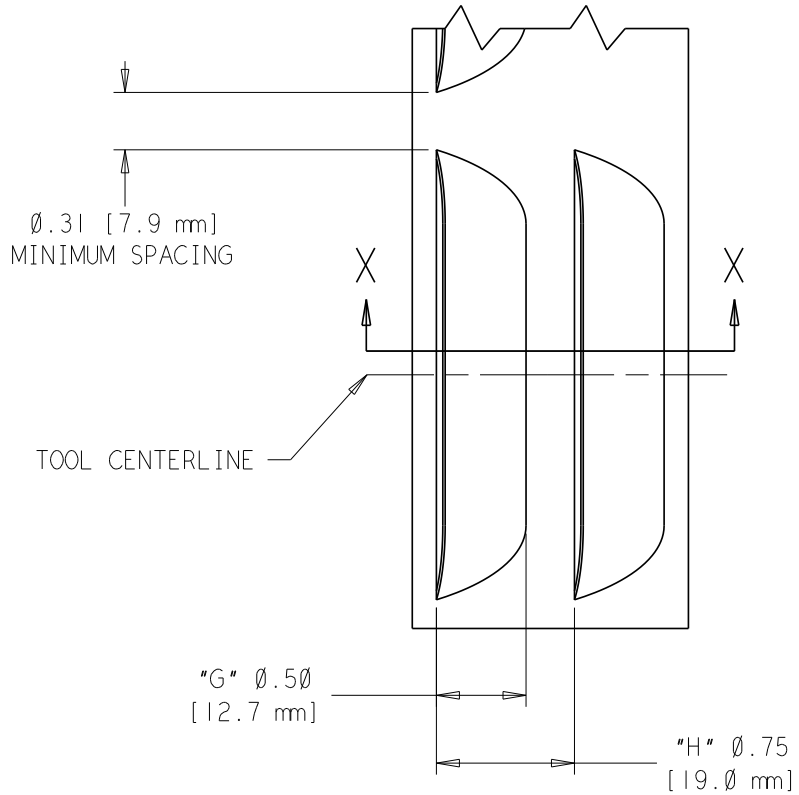


ULTRAFORM D STATION LOUVER
CLOSED STRAIGHT BACK
2.500 (63.50) LONG FOR
Ø.059 (1.50) MATERIAL FORM DRAWING

UNLESS OTHERWISE SPECIFIED
DECIMALS ANGLES
.XX=±.01 X=±5°
.XXX=±.005 .X=±.5°
INSIDE CORNERS R.Ø3±.01
OUTSIDE EDGES R.Ø2±.01
OR .Ø2±.01 X 45°±5°

P.N.
XAVDDØLD91-ØØØ1
SHEET 1 OF 1
DWG :

ECO #	REV:	REV. DATE:	REVISED BY:
E1Ø1616	A	Ø5/31/Ø5	GSF



TOOL CENTERLINE IS ON
THE CUTTING EDGE OF
THE LOWER INSERT

SECTION X-X

Visit mate.com/stockspecials for complete information