



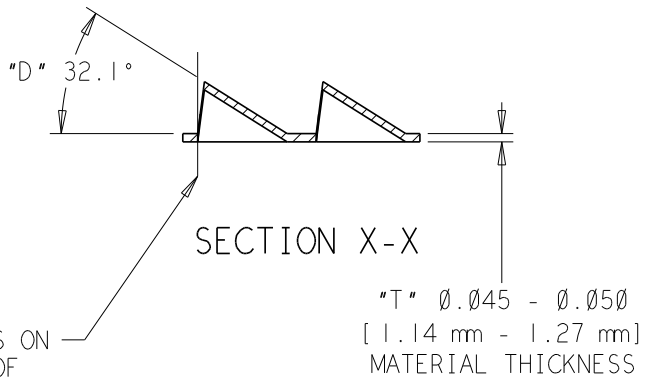
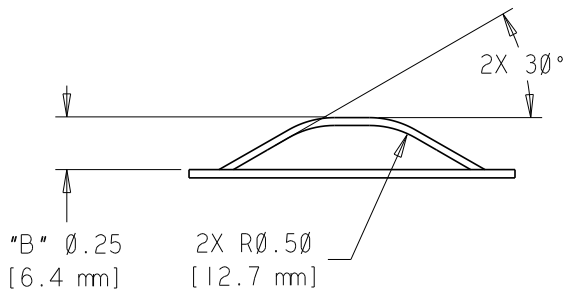
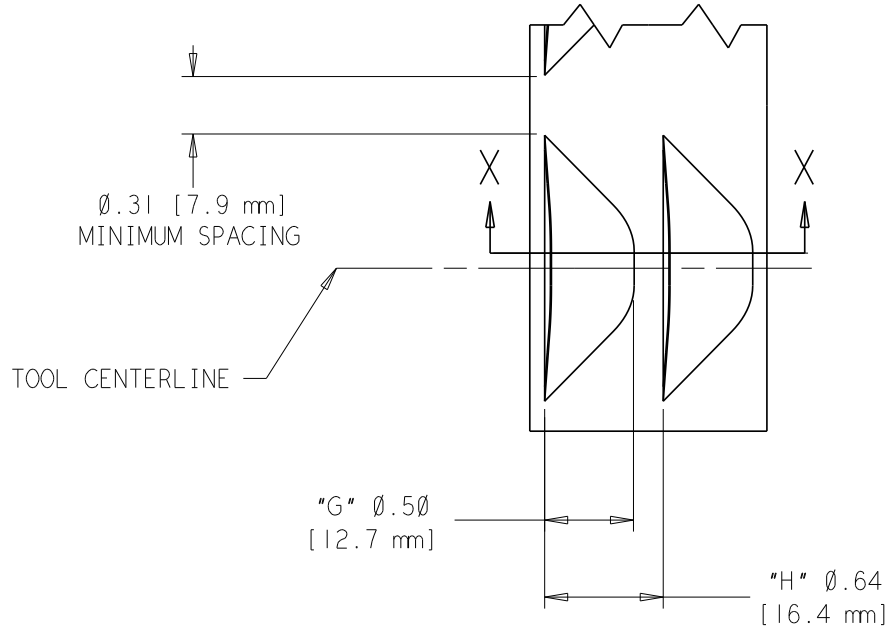
ULTRAFORM C STATION LOUVER
CONTINUOUS FOR $\emptyset.048(1.2\emptyset)$
MATERIAL FORM DRAWING

ECO #	REV:	REV. DATE:	REVISED BY:
E101616	A	05/25/05	GSF

UNLESS OTHERWISE SPECIFIED
DECIMALS ANGLES
.XX=±.01 X=±5°
.XXX=±.005 .X=±.5°
INSIDE CORNERS R.03±.01
OUTSIDE EDGES R.02±.01
OR .02±.01 X 45°±5°

P.N.
XAVCD0LL91-0002

SHEET 1 OF 1	DWG :
-----------------	-------



TOOL CENTERLINE IS ON
THE CUTTING EDGE OF
THE LOWER INSERT

Visit mate.com/stockspecials for complete information