

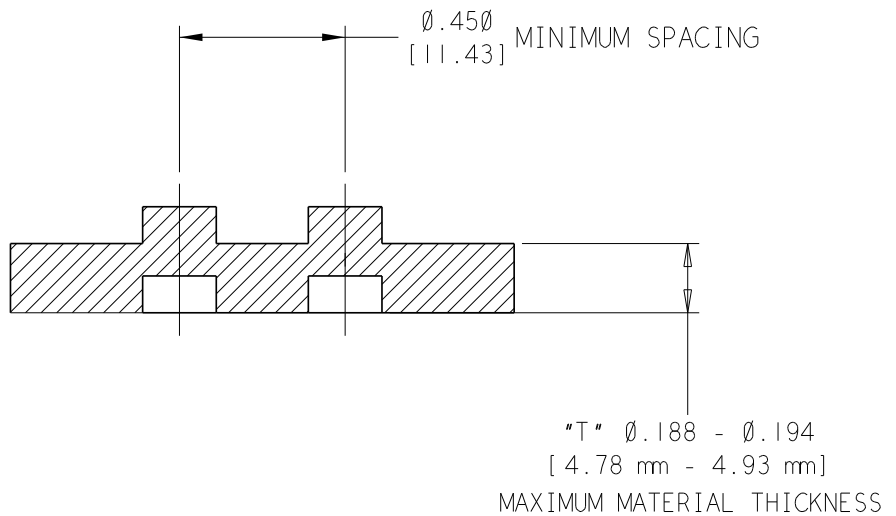
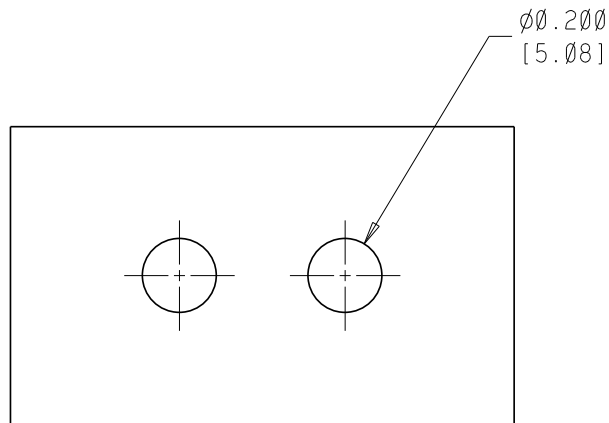


ULTRAFORM B STATION
ROUND SHEAR BUTTON UP
Ø.200 (5.08) DIAMETER
FORM DRAWING

UNLESS OTHERWISE SPECIFIED
DECIMALS ANGLES
.XX=±.01 X=±5°
.XXX=±.005 .X=±.5°
INSIDE CORNERS R.Ø3±.01
OUTSIDE EDGES R.Ø2±.01
OR .Ø2±.01 X 45°±5°

P.N.
XAVBDØS191-0002
SHEET 1 OF 1
DWG :

ECO #	REV:	REV. DATE:	REVISED BY:
E1Ø1616	A	Ø6/Ø1/Ø5	PRL



Visit mate.com/stockspecials for complete information